



GEZE CURVED SLIDING DOOR SYSTEMS  
INNOVATIVE TAILOR-MADE ENTRANCE SOLUTIONS



**TABLE OF CONTENTS**

GEZE curved sliding door systems	<b>4</b>
Overview table	<b>5</b>
General product features for SC/SC-FR and SCR/SCR-FR	<b>6</b>
Overview of basic designs and special variants	<b>7</b>
GEZE Slimdrive SC	<b>9</b>
GEZE Slimdrive SCR	<b>12</b>
GEZE Slimdrive SC/SCR GGS	<b>14</b>
GEZE Slimdrive SC/SC-FR RC2	<b>16</b>
<b>Accessories</b>	
Operation	<b>18</b>
Securing	<b>19</b>
Locking	<b>20</b>
Service tools	<b>21</b>
<b>Installation drawings SC/SCR</b>	<b>22</b>
<b>Cable plan</b>	<b>26</b>
References	<b>27</b>

## GEZE curved sliding door systems

### Innovative tailor-made entrance solutions

The entrance area of a building reveals a building's character. Prestigious buildings all over the world are equipped with tailor-made entrance solutions from GEZE. Applications in different areas reflect our many years of experience.

Curved sliding doors create more space and light. This range is characterised by ease of operation, a wide range of design options and straightforward installation.

#### The advantages at a glance

- Individual planning and production for every building
- TÜV type-tested in accordance with DIN 18650 / EN 16005 in all versions
- Low drive height of 7 cm permits large passage heights and conveys an elegant appearance
- The high level of light creates bright, friendly entrance areas
- Emphasis on transparency with the glass roof variant
- High-quality materials and state-of-the-art control technology guarantee high efficiency
- Curved sliding doors create up to 40 % more opening width compared with linear sliding doors
- Just perfect for glass façades with slim post-rail-constructions
- Central suspension of the moving leaves guarantees very quiet running and a long service life
- FR variant for use in escape and rescue routes according to AutSchR
- Simple operation and adjustment based on tried-and-tested sliding door technology

**Slimdrive SC:** drive for curved sliding doors, can be used as a vestibule in combination with linear sliding doors

**Slimdrive SCR:** the 360° drive solution for curved sliding doors

**SC-FR and SCR-FR:** approved for use in escape and rescue routes, type-tested in accordance with DIN 18650 / EN 16005 and certified

**Slimdrive SC/SCR GGS:** version of the automated all-glass curved sliding doors with the all-glass fitting system GGS and glass roof

**Slimdrive SC RC 2 and SC-FR RC 2:** the burglar-resistant curved sliding door system with fine-framed fitting system

#### DIN 18650

The industrial standard DIN 18650 was created to be able to guarantee operators and users of automatic doors optimum safety. GEZE curved sliding door systems have been type-tested in accordance with DIN 18650 and certified.

#### EN 16005

The new European standard EN 16005 sets out the design requirements and testing methods used to ensure the safe use of automatic doors. The new standard has created a Europe-wide safety standard for automatic doors.

All automatic door systems and safety sensors from GEZE meet the EN 16005 standard and are available.



Federal Foreign Office and European Integration, Zagreb, Croatia (Photo: Robert Les)

## Overview table of automatic curved sliding door systems

## Technical data

Product features	SC	SC-FR	SCR	SCR-FR
For escape and rescue routes	-	•	-	•
Barrier-free	•	•	•	•
Adjustable opening speed	•	•	•	•
Adjustable closing speed	•	•	•	•
Opening width 2-leaf	800 – 3000 mm		800 – 2300 mm	
Clear passage height*				3000 mm
Canopy height (min.)				75 mm
Leaf weight (max.) 1-leaf				100 kg
Leaf weight (max.) 2-leaf				120 kg
Radius (min.)	1000 mm	1100 mm	1000 mm	1100 mm
Radius (max.)				2000 mm
Moving leaf version	10 mm VSG, 10 mm ESG-H with GGS fitting system (GGS variant), special glass on request			
Side elements version	10 mm VSG, 22 mm panel lining, VSG 12 mm without frame (GGS variant), special glass on request			
Surfaces	Powder-coated according to RAL, anodised light alloy E6/EV1, colour anodised according to sample, coated with polished stainless steel, coated with grit 240 stainless steel, special coating on request			
Version of roof structure	Optical sheet metal covering, waterproof roof with waterspout, glass roof			
Illumination	with roof variant, not possible with glass roof		according to customer wishes, not possible with glass roof	
Floor covering	Scraper mat, floor mat according to customer wishes			
Hot-air curtain system	possible, depends on the ceiling construction		integrated in the suspended ceiling	
Off-centre façade connection	•	•	•	•
Special functions on request	•	•	•	•
Operation	Programme switch DPS Programme switch TPS Control via building management system			
Approvals	DIN 18650, EN 16005			

- = YES
- = NOT AVAILABLE
- \* = HIGHER ON REQUEST

## General product features for SC/SC-FR and SCR/SCR-FR

### System description

- Door profiles and running rail made of aluminium or with wood panelling
- Continuous floor guide made of stainless steel
- System can be designed convex (running inside) and concave (running outside)
- Individual solutions for side and upper connections to concrete, masonry, steel structure, glass structure as well as post-rail structure
- Large choice of surface finishes available
- System and moving leaf can be equipped fine-framed with GEZE profile systems or with the GEZE GGS fitting system
- There are numerous equipment versions for the design of the side elements and ceiling structure

### Version of FR variants suitable for use in escape and rescue routes

- Duplicate processing system thanks to 2-motor technology/rechargeable battery with a redundant control
- Programme switch is lockable: The programme switch may only be operated by authorised persons. For this reason, a key-operated switch is essential. The mode of operation selected must be able to be recognised clearly.
- Self-monitoring movement detector (redundancy): Function must be continually monitored. If a fault is diagnosed, the door moves to the open position (repairs necessary).
- Note on the locking of escape and rescue route doors (operation mode „night“): Automatic sliding doors for use in escape and rescue routes may be locked providing there are no escape and rescue route requirements made on them during this defined time period. This is usually the case when there is no-one in the building or if a different escape route is signposted for these people.

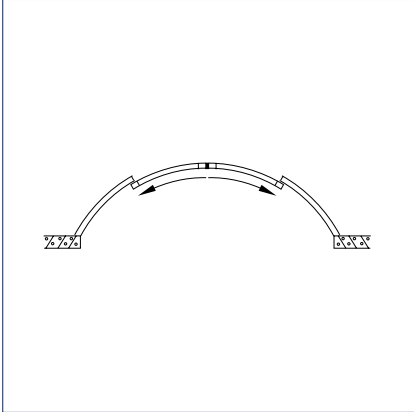
### Description of the control with functions

- Fully digital control with high-power micro-processor
- All system settings and display of function, error and maintenance parameters are possible via GEZE display programme switch
- Operating modes: automatic, permanently open, shop closing (one-way), night, off
- Reduced opening width with variable adjustment in learning mode, with the FR-version taking the minimum escape route width into consideration. This depends on the number of persons who will have to use this exit and is at least one metre from 5 people onwards.
- Different hold-open times during summer operation, winter operation and key activation
- Display of statistical data as well as display of faults via programme switch (number of opening movements, service interval display)
- Self-learning door control
- Hold-open time can be adapted automatically to volumes of people (can be activated)
- Connection to fire alarm system
- Electromechanical locking with optional status contact for alarm systems
- Opening and closing speed can be adjusted individually
- Fault display for safety sensor and radar movement detector
- Controls with special function on request

Overview of basic designs and special variants

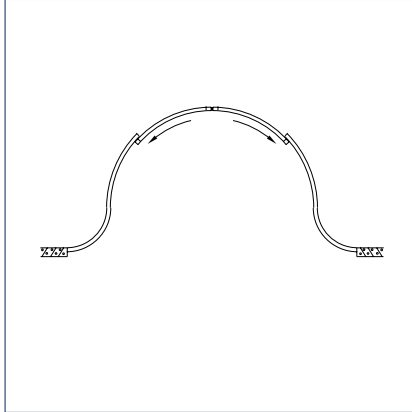
**Curved sliding doors GEZE Slimdrive SC**

Basic design



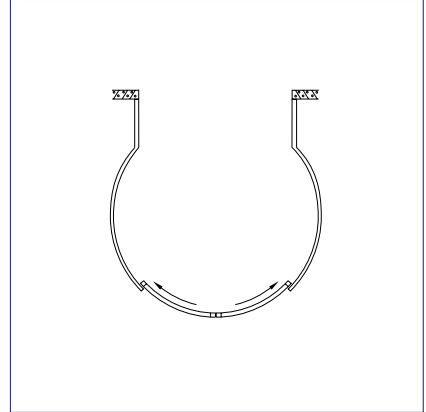
Double or multi-leaf curved sliding door, can be combined as required

Special variant



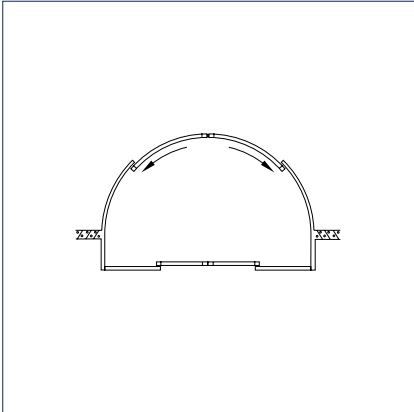
Reverse curve

Special variant



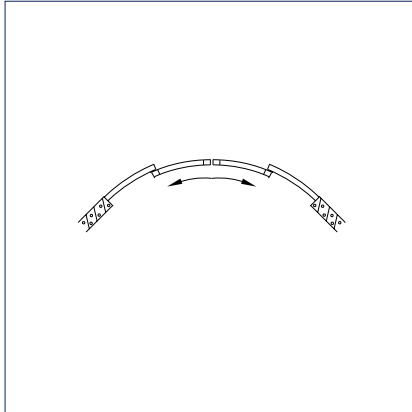
Set curved

Special variant



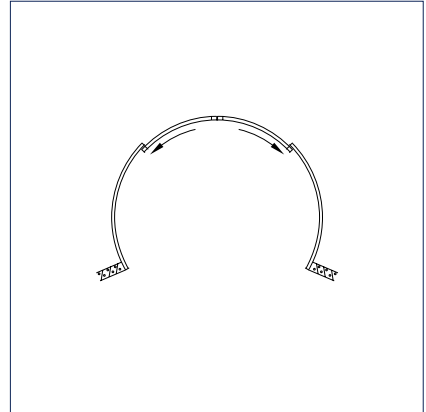
Vestibule 180° double-leaf curved sliding door combined with linear sliding door

Special variant



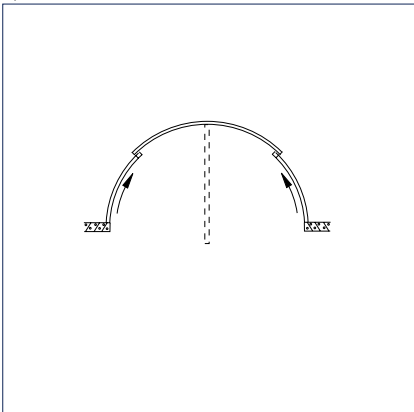
Corner door 90° maximum opening width with optimum use of space

Special variant



Corner door 270° double-leaf centrally opening or single-leaf outward opening

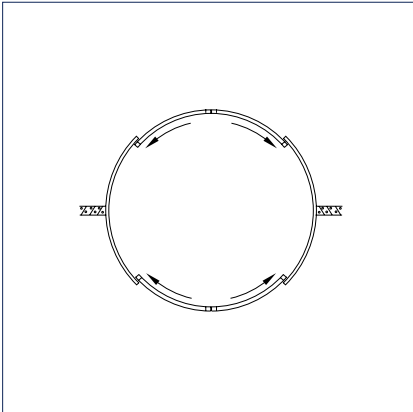
Special variant



Double entrance for separate entrance and exit

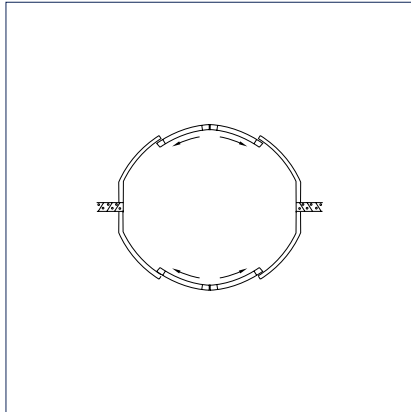
**Curved sliding doors GEZE Slimdrive SCR**

Basic design



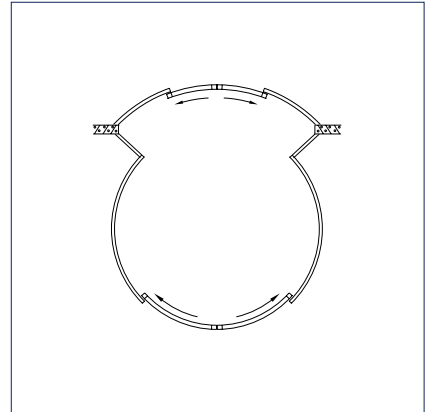
Vestibule 360° two double-leaf curved sliding doors, each 180°, with separate drives

Special variant



Extended to an oval, vestibule

Special variant



Enlarged vestibule



Housing society Vieya, Dongen, Netherlands (Photo: Erwin Kamphuis)



## GEZE Slimdrive SC

### Drive system for automatic curved sliding doors

The GEZE Slimdrive SC conceals a powerful drive system for curved sliding doors in a unit only 7 cm high. The barrier-free drive blends in elegantly with post-rail-constructions and can be used in busy areas. Whether as a curved sliding door with a minimum radius of 1000 mm, as a curved sliding door with large radii or in combination with a linear sliding door as a vestibule: GEZE Slimdrive SC provides a huge range of design options and meets maximum function and design requirements. Opening widths of max. 3000 mm can be achieved for double-leaf doors with the Slimdrive SC. It moves leaf weights of up to a maximum of 120 kg. In the Slimdrive version SC-FR, the curved sliding door can also be used in escape and rescue routes (FR).

### Special versions

Slimdrive SC GGS / SC-FR GGS - variant with automatic all-glass curved sliding doors with all-glass fitting system GGS and glass roof  
Slimdrive SC RC 2 / SC-FR RC 2 - burglar-resistant variant in accordance with resistance class 2



Belgian SkyShop Brussels International Airport, Brussels, Belgium (Photo: Erwin Kamphuis)

### Application range

- Representative business premises
- Hotels and restaurants
- Hospitals
- Homes for the elderly and care homes
- Airports and railway stations
- Trade fairs, exhibitions and car showrooms
- Vestibule systems
- Suitable for new buildings, conversions and refurbishment thanks to the low overall height

## GEZE SLIMDRIVE SC/SCR

## Technical data

Product features	SC	SC-FR
For escape and rescue routes	-	•
Barrier-free	•	•
Adjustable opening speed)	•	•
Adjustable closing speed	•	•
Opening width 2-leaf	800 – 3000 mm	
Clear passage height*	3000 mm	
Canopy height (min.)	75 mm	
Leaf weight (max.) 1-leaf	100 kg	
Leaf weight (max.) 2-leaf	120 kg	
Radius (min.)	1000 mm	1100 mm
Moving leaf version	10 mm VSG, special glass on request	
Side elements version	10 mm VSG, 22 mm panel lining, special glass on request	
Surfaces	Powder-coated according to RAL, anodised light alloy E6/EV1, colour anodised according to sample, coated with polished stainless steel, coated with grit 240 stainless steel, special coating on request	
Version of roof structure	Optical sheet metal covering, waterproof roof with waterspout, glass roof	
Illumination	with roof variant, not possible with glass roof	
Floor covering	Scraper mat, floor mat according to customer wishes	
Hot-air curtain system	possible, depends on the ceiling construction	
Off-centre façade connection	•	•
Special functions on request	•	•
Operation	Programme switch DPS Programme switch TPS Control via building management system	
Approvals	DIN 18650, EN 16005	

- = YES
- = NOT AVAILABLE
- \* = HIGHER ON REQUEST

Curved version											
Nominal radius (mm)	1000	1100	1200	1300	1400	1500	1600	1700	1800	1900	2000
System angle	180°										
Passage angle	80°										
System width (mm)	2000	2200	2400	2600	2800	3000	3200	3400	3600	3800	4000
Clear passage width (mm)	1144	1273	1401	1530	1658	1787	1916	2044	2173	on request	on request
Curve length (mm)	3142	3456	3770	4084	4398	4712	5027	5341	5655	5969	6283

**Standard dimensions**

Curve length BL = max. 5500 mm

Passage width LW = 1000 mm - 2300 mm

Approximate calculation of the curve length

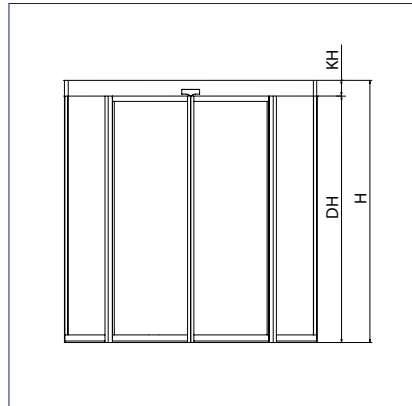
$$\textcircled{A} \quad BL = r \times \frac{y \cdot \pi}{180}$$

$$\textcircled{B} \quad BL = \sqrt{B^2 + \frac{16}{3} \times T^2}$$

A = With radius r and angle y given

B = With overall depth T and system width B given

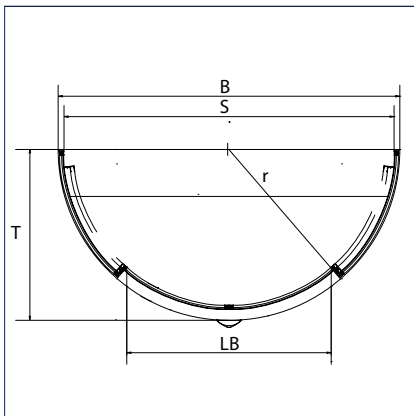
Vertical section



DH = Passage height

H = System height

KH = Canopy height

**Horizontal sections**

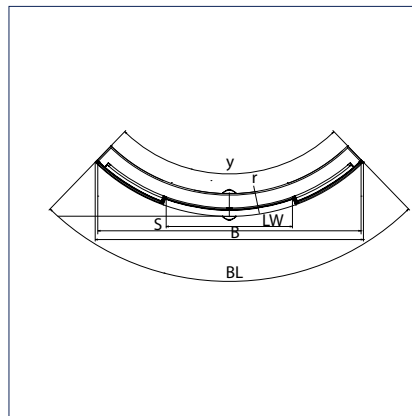
B = System width

LB = Passage clearance

r = Nominal radius

S = Inner width

T = Overall depth



B = System width

BL = Curve length

LB = Passage clearance

r = Nominal radius

S = Inner width

## GEZE Slimdrive SCR

### Drive system for automatic curved sliding doors

The drive series GEZE Slimdrive SCR is the 360° drive solution for curved sliding doors. The drives of the two doors form one unit but are controlled separately. This drive for curved sliding doors can be integrated almost invisibly into the façade thanks to the extremely low overall height of only 7 cm. The state-of-the-art drive „disappears“ – leaving room for transparency and aesthetics. The SL SCR is barrier-free and just perfect for use in glass façades with a slim post-rail-construction. High-quality materials and state-of-the-art control technology ensure high efficiency. Opening widths of max. 2300 mm can be achieved for double-leaf doors with the Slimdrive SCR. It moves leaf weights of up to a maximum of 120 kg. In the Slimdrive version SCR-FR, the curved sliding door can also be used in escape and rescue routes (FR).

### Special versions

Slimdrive SC RC 2 / SC-FR RC 2 - burglar-resistant variant in accordance with resistance class 2



SGL Carbon, Meitingen, Germany (Photo: Dirk Wilhelmy)

### Application range

- Representative business premises
- Hotels and restaurants
- Hospitals
- Homes for the elderly and care homes
- Airports and railway stations
- Trade fairs, exhibitions and car showrooms
- Vestibule systems
- Suitable for new buildings, conversions and refurbishment thanks to the low overall height

## Technical data

Product features	SCR	SCR-FR
For escape and rescue routes	-	•
Barrier-free	•	•
Adjustable opening speed (ventilation)	•	•
Adjustable closing speed	•	•
Opening width 2-leaf	800 – 2500 mm	
Clear passage height*	3000 mm	
Canopy height (min.)	75 mm	
Leaf weight (max.) 1-leaf	100 kg	
Leaf weight (max.) 2-leaf	120 kg	
Radius (min.)	1000 mm	1100 mm
Radius (max.)	2000 mm	
Moving leaf version	10 mm VSG, special glass on request	
Side elements version	10 mm VSG, 22 mm panel lining, VSG 12 mm without frame (GGS variant), special glass on request	
Surfaces	Powder-coated according to RAL, anodised light alloy E6/EV1, colour anodised according to sample, coated with polished stainless steel, coated with grit 240 stainless steel, special coating on request	
Version of roof structure	Optical sheet metal covering, waterproof roof with waterspout, glass roof	
Illumination	according to customer wishes, not possible with glass roof	
Floor covering	Scraper mat, floor mat according to customer wishes	
Hot-air curtain system	integrated in the suspended ceiling	
Off-centre façade connection	•	•
Special functions on request	•	•
Operation	Programme switch DPS Programme switch TPS Control via building management system	
Approvals	DIN 18650, EN 16005	

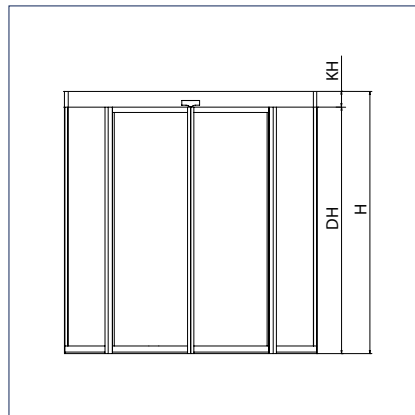
- = YES
- = NOT AVAILABLE
- \* = HIGHER ON REQUEST

Approximate calculation of the curve length

(A) 
$$BL = r \times \frac{y \cdot \pi}{180}$$

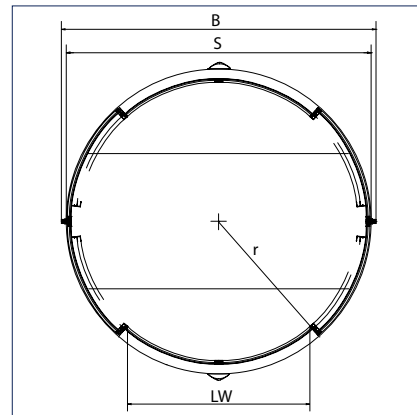
(B) 
$$BL = \sqrt{B^2 + \frac{16}{3} \times T^2}$$

Vertical section



- DH = Passage height
- H = System height
- KH = Canopy height

Horizontal section



- B = System width
- LB = Passage clearance
- r = Nominal radius
- S = Inner width

- A = With radius r and angle y given
- B = With overall depth T and system width B given
- T = Overall depth

### GEZE Slimdrive SC/SCR GGS

#### Elegance and transparency without frames

The unpretentious and functional design of this stainless steel fitting opens up a wide range of individual application possibilities. The perfect design of curved sliding doors equipped with the GGS fitting system (GEZE all-glass system) is impressive. Maximum transparency is supported by the glass roof variant. The moving leaves are attached to the roller carriage using two single point fixings each and have been designed without frame. The floor guide is also attached to the glass with single point fixings. The side elements are made of curved laminated safety glass (VSG) and equipped with very slim profiles as edge protection. The SC/SCR GGS variant also allows a curved sliding door to be made from a combination of two curved sliding doors. The minimum radius is 1250 mm, the maximum clear passage is 2500 mm and the maximum leaf weight 100 kg. Deviations from these dimensions can be realised on request. The FR variant is available for use in escape and rescue routes.



#### Application range

- Representative business premises
- Hotels and restaurants
- Hospitals
- Homes for the elderly and care homes
- Airports and railway stations
- Trade fairs, exhibitions and car showrooms
- Vestibule systems
- Suitable for new buildings, conversions and refurbishment thanks to the low overall height

## Technical data

Product features				
	SC GGS	SC-FR GGS	SCR GGS	SCR-FR GGS
For escape and rescue routes	-	•	-	•
Barrier-free	•	•	•	•
Adjustable opening speed (ventilation)	•	•	•	•
Adjustable closing speed	•	•	•	•
Opening width 2-leaf	800 – 3000 mm		800 – 2300 mm	
Clear passage height*	2500 mm			
Canopy height (min.)	75 mm			
Leaf weight (max.) 1-leaf	100 kg			
Leaf weight (max.) 2-leaf	120 kg			
Radius (min.)	1250 mm			
Radius (max.)	2000 mm			
Moving leaf version	10 mm ESG-H with GGS fitting system (GGS variant), special glass on request			
Side elements version	VSG 10 mm without frame (GGS variant), special glass on request			
Surfaces	Powder-coated according to RAL, anodised light alloy E6/EV1, colour anodised according to sample, coated with polished stainless steel, coated with grit 240 stainless steel, special coating on request			
Version of roof structure	Optical sheet metal covering, waterproof roof with waterspout, glass roof			
Illumination	with roof variant, not possible with glass roof			
Floor covering	Scraper mat			
Hot-air curtain system	possible, depends on the ceiling construction			
Special functions on request	•	•	•	•
Operation	Programme switch DPS Programme switch TPS Control via building management system			
Approvals	DIN 18650, EN 16005			

• = YES

- = NOT AVAILABLE

\* = HIGHER ON REQUEST

### GEZE Slimdrive SC/SC-FR RC 2

#### The perfect combination of design and certified safety

The burglar-resistant curved sliding door system GEZE Slimdrive SC RC 2 and the escape and rescue route variant SC-FR RC 2 makes burglars' lives difficult. It was specially developed for building entrances with increased safety requirements. Both variants have been tested in accordance with component resistance class 2 (RC 2) in line with DIN EN 1627 to 1630. This means that they can withstand attempts to be levered open using tools of the RC 2 class such as screwdrivers, pliers and wedges, and can withstand static and dynamic loads. Opportunists are stopped effectively and security companies gain reaction time.



SGL, Carbon, Meitingen, Germany (Photo: Dirk Wilhelmy)

#### Application range

- Building entrances with enhanced safety requirements
- Banks
- Pharmacies
- Jewellers
- Petrol stations
- IT rooms



**Technical data**

Product features	SC/SC-FR RC 2
For escape and rescue routes	•
Barrier-free	•
Adjustable opening speed (ventilation)	•
Adjustable closing speed	•
Opening width 2-leaf	900 – 3000 mm
Clear passage height	3000 mm
Canopy height (min.)	75 mm
Leaf weight (max.) 2-leaf	120 kg
Radius (min.)	min. 1350 mm / max. 1750 mm
Moving leaf version	10 mm VSG, special glass on request
Side elements version	10 mm VSG, special glass on request
Surfaces	Powder-coated according to RAL, anodised light alloy E6/EV1, colour anodised according to sample, special coating on request
Version of roof structure	waterproof roof with waterspout
Illumination	with roof variant, not possible with glass roof
Floor covering	Scraper mat, Floor mat according to customer wishes
Hot-air curtain system	possible, depends on the ceiling construction
Special functions on request	•
Operation	Programme switch DPS Programme switch TPS Control via building management system
Approvals	DIN 18650, EN 16005

- = YES
- = NOT AVAILABLE

**Note**

The burglar-resistant function RC 2 is only enabled in „NIGHT“ mode. In „NIGHT“ mode the door does not fulfil any emergency exit requirements. It is necessary to ensure that there is nobody in the building or that sufficient other emergency exits are available.

## Operating automatic sliding doors

### Programme switch for selecting the mode of operation of automatic sliding doors

GEZE offers programme switches for a wide range of individual requirements. The switches are suitable for universal use – for surface-mounted or flush-mounted installation. The following switches are available:

#### Display programme switch (DPS)

#### Key programme switch (TPS)

The following operating modes can be set:

##### “Permanently open”

The door moves to the OPEN position and remains open. Movement detector or opening button are deactivated.

##### “Night”

The movement detectors are switched inactive, the door closes. The door can only be opened with contact sensor authorised (KB) or manual release. Option: The door leaves are locked electrically to prevent forced opening.

##### “Shop closing” (One-direction operation from the inside to the outside)

The door only opens and closes when someone goes out from the inside.

The movement detector outside is switched inactive, the one inside is switched active.

##### “Automatic”

The door opens as soon as it is actuated via the movement detector or keys, and closes after a certain individually adjustable time. Safety sensors protect the leaves’ travel path. If there is someone in the door opening, the door will not close.

##### “OFF” (depending on model)

Drive motor, locking, activation and safety sensors are switched off, the door leaves can be moved manually.

##### Key switch

The programme switch can be blocked using a key switch. A key switch is required for the F/R variants.

### Securing the programme switches

The display programme switch (DPS) and key programme switch (TPS) can be combined with a key switch. Alternatively, these programme switches can be secured using a code.



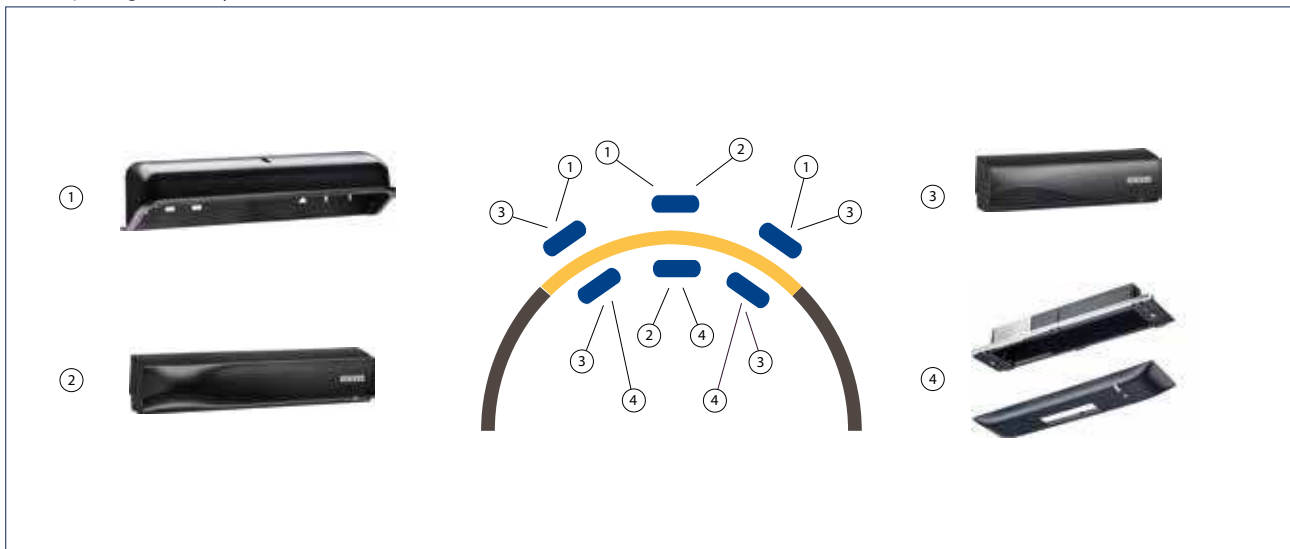
Display programme switch (DPS)



Keypad programme switch (TPS)

## Securing automatic sliding doors

Sensor package for SC systems



- 1 = Optional: GC 363 rain cover to protect the combined detector / light curtain outdoors
- 2 = Combined detectors GC 363 R and GC 363 SF (in direction of emergency exit) for triggering and securing the automatic door
- 3 = Light curtain GC 339 for protecting the opening width
- 4 = Optional: GC 363 ceiling installation kit for integrating the combined detector/light curtain in the ceiling

## Automatic locking

### Locking by toothed belt

This electromagnetic bi-stable locking system ensures more safety, because it stays locked even without electric current. Manual emergency unlocking is possible at any time. Typical for this type of locking is permanent monitoring by the control unit. Up to two contacts for external applications (e.g. alarm systems) can be integrated as an option. Thanks to the free choice of positioning in the drive, the toothed belt unit is not only easy to install, it also makes special locking functions possible, e.g. locked pharmacy opening of the sliding doors.

### Rod locking

Rod locking increases safety and burglary protection. The multi-point lock – both upwards and in the ground – provides solid resistance against attempts to be levered open. The locking rod is integrated invisibly in the fine-framed ISO profile system. The system can be unlocked both electrically or mechanically.

## Manual locking

### Floor lock

The GEZE floor lock is used to lock door leaves with the fine-framed ISO profile system easily at floor level. Standard profile cylinders can be used for the floor locks. This means the solution is suitable for optimum integration in locking systems. Operation is manual, with the key, either only from the inside or from the inside and outside.



Floor lock

## Service Tools

### GEZEconnects

Bluetooth is an internationally standardised short-distance radio signal with a range of up to ten metres. The software GEZEconnects makes wireless connection via Bluetooth possible between a computer and the automatic door systems from GEZE. All door system settings can be carried out via an intuitive graphic interface, stored, sent by e-mail and transferred to a word processing programme as a protocol. Diagnosis functions show the most important function parameters of the door system in real time, so that problems are recognised at a glance and can be eliminated. All the pre-settings can be taken over very easily for further door systems. The convenient documentation of initial operation, servicing and diagnosis protocols as well as all statistical data can be downloaded at any time. Password protection to freeze operating parameters and servicing data guarantees there will be no unauthorised modifications made.

### Service terminal ST 220

Mobile, handy and straightforward – that is parameter setting for the automatic GEZE door systems using the service terminal ST 220. Communication and data exchange between the service terminal and the door drive is via an integrated RS485 interface. The large illuminated interface is easy to operate thanks to the plain text display. The service terminal is equipped with a readout function for servicing and diagnosis work. Power is supplied via the door system. Password protection to freeze operating parameters and servicing data guarantees there will be no unauthorised modifications made.



GEZEconnects

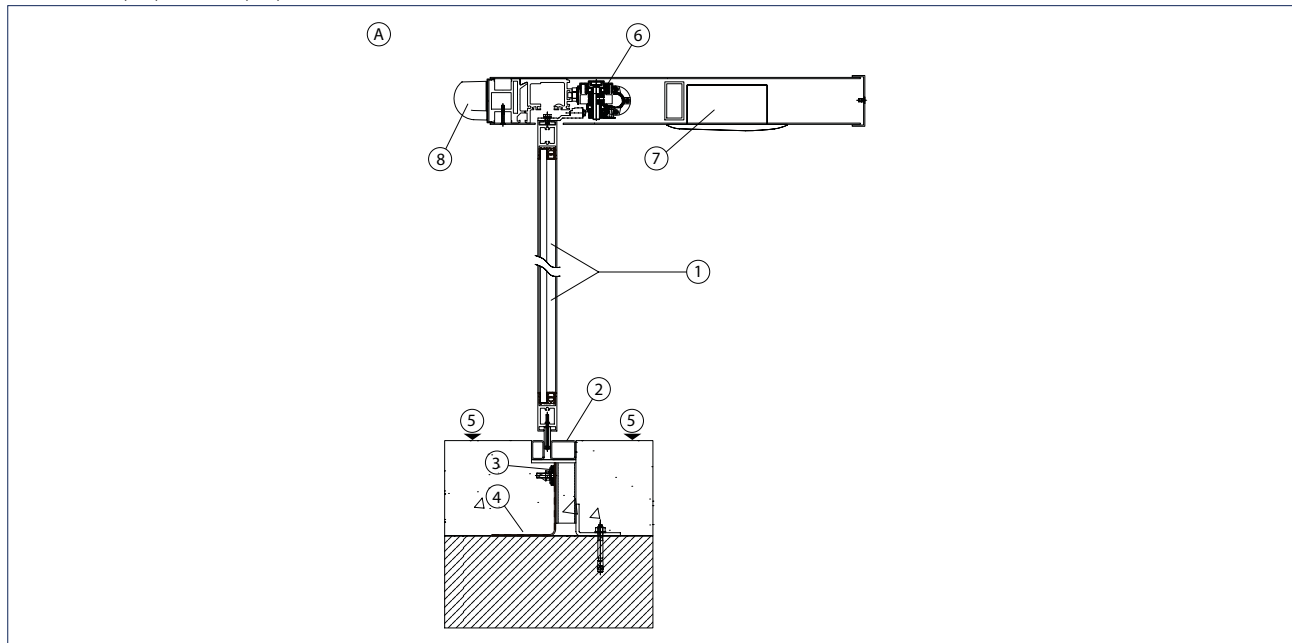


Service terminal ST 220

# GEZE SLIMDRIVE SC/SCR

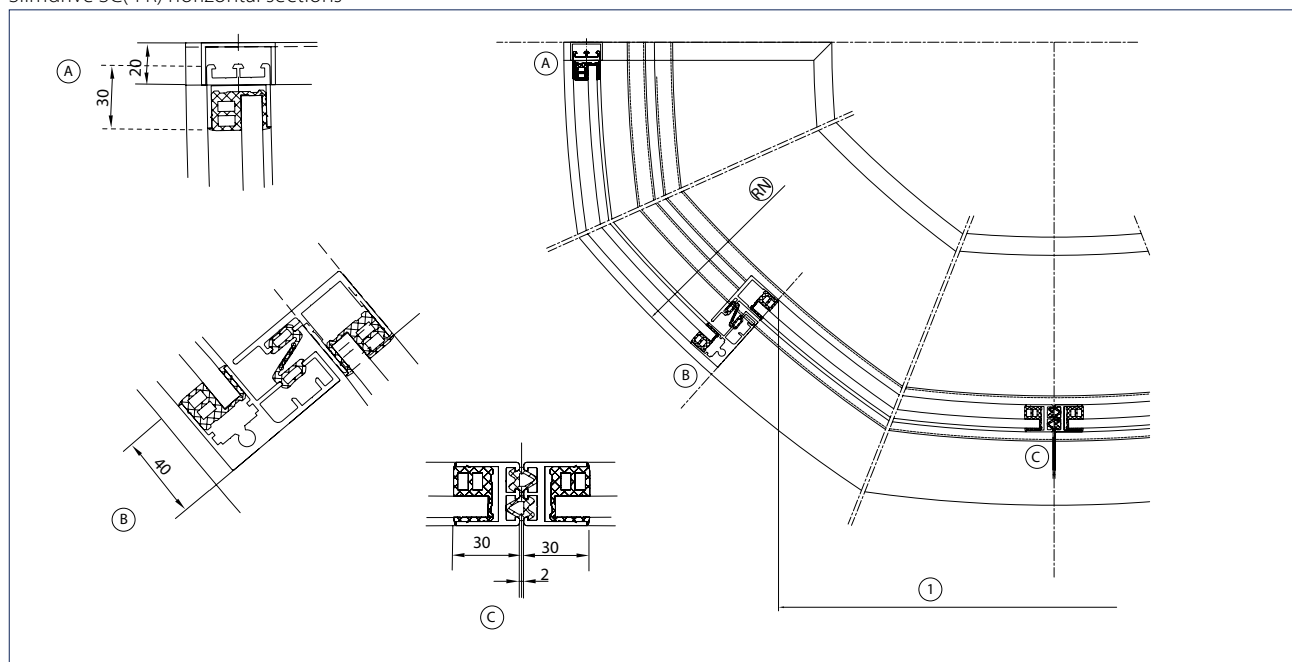
## Installation drawings SC/SCR

Slimdrive SC(-FR) and SCR(-FR)



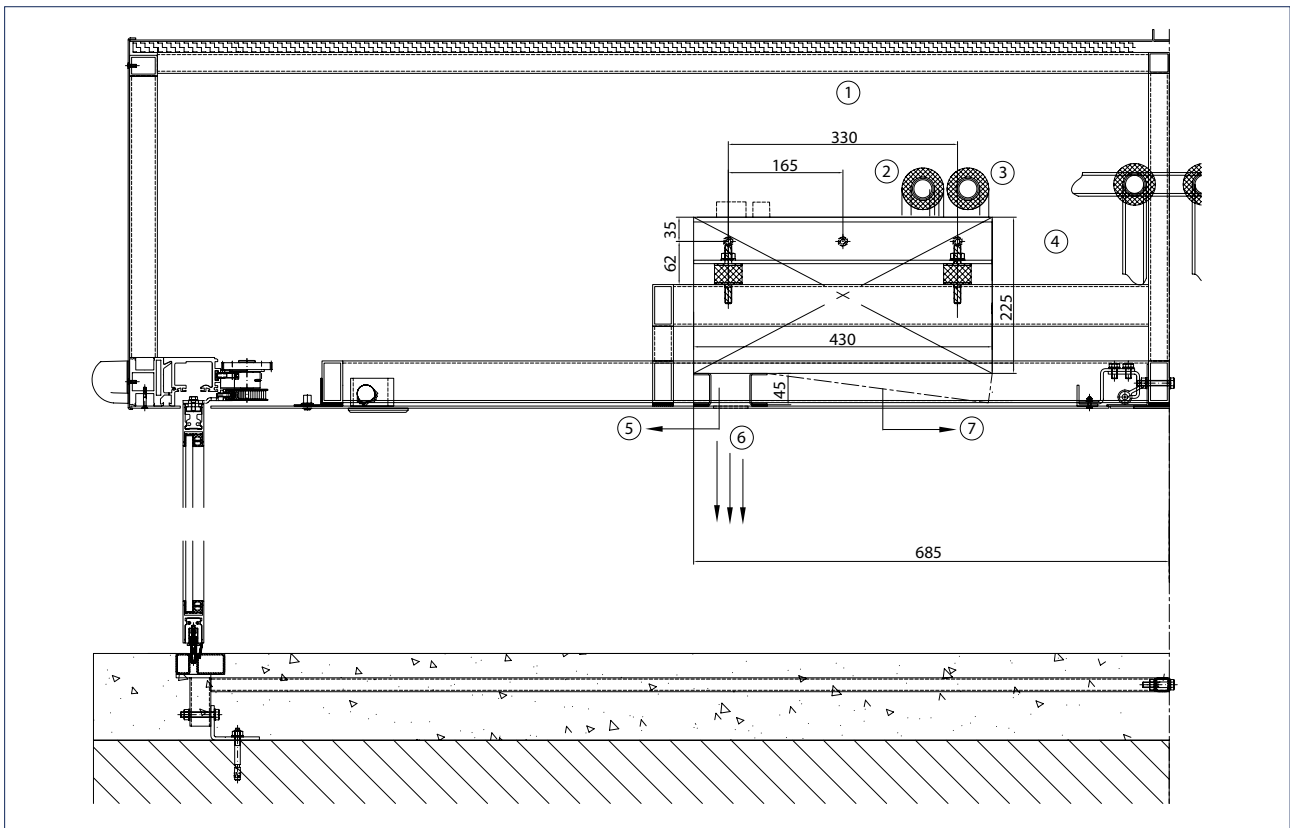
- A = SCR(-FR) passage area
- 1 = Moving leaf with VSG
- 2 = Stainless steel floor ring
- 3 = Optional: sheet metal base 180° loose/fixed flange all the way round
- 4 = Sealing provided by the customer
- 5 = Finished floor level
- 6 = Complete drive (covering / drive components)
- 7 = Ceiling installation kit combined detector
- 8 = Combined detector

Slimdrive SC(-FR) horizontal sections



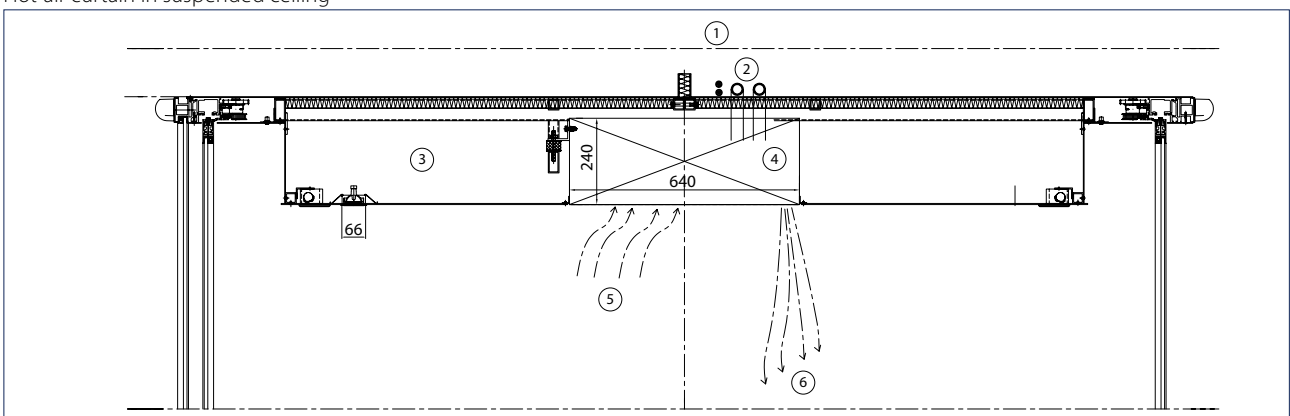
- 1 = Clear passage width
- RN = Nominal radius

Hot-air curtain in ceiling canopy



- 1 = Air intake lines must never be blocked
- 2 = Supply flow
- 3 = Return flow
- 4 = Exhaust outlet
- 5 = Servicing flap

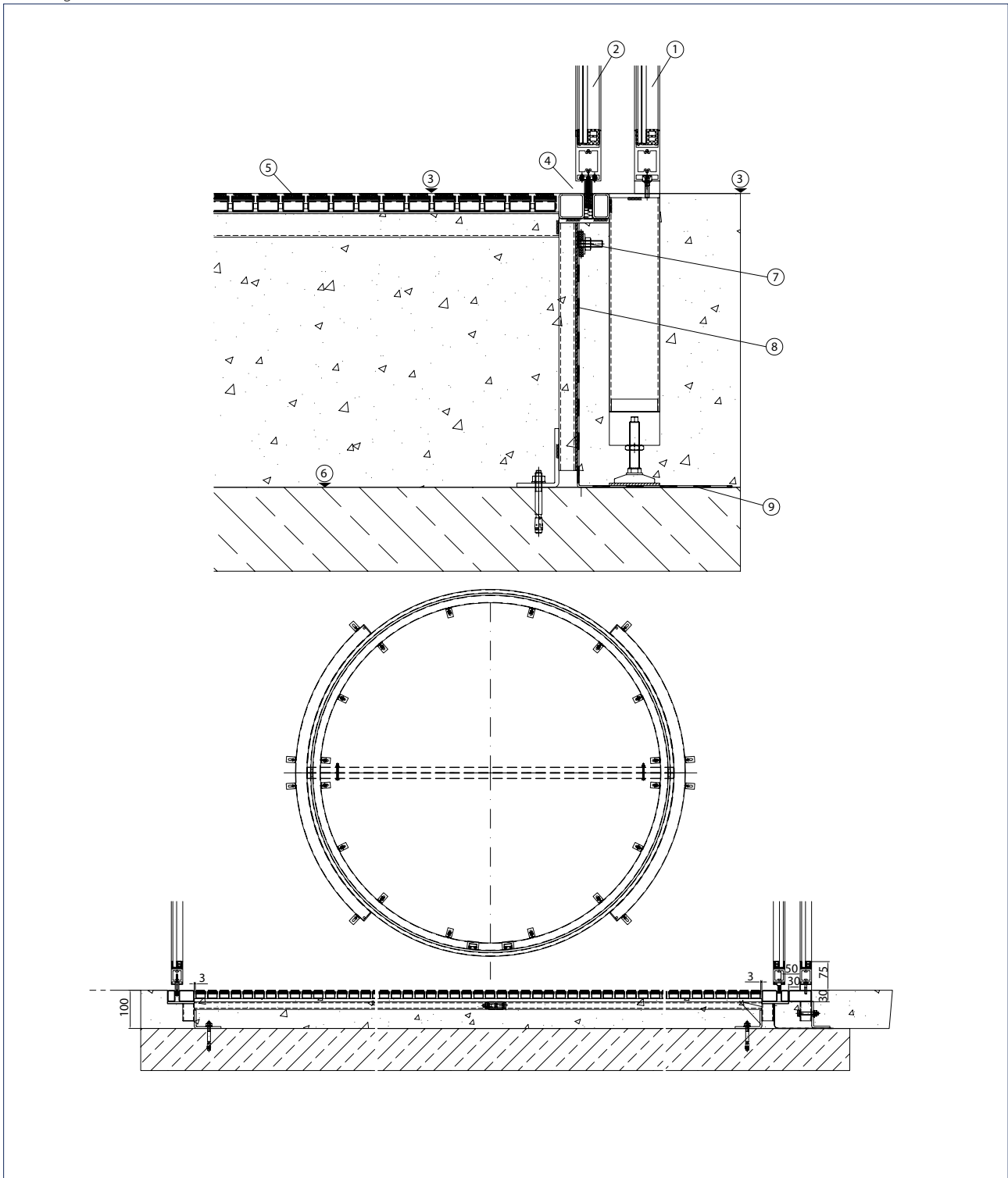
Hot-air curtain in suspended ceiling



- 1 = Supply lines for hot-air curtains on site
- 2 = Opening for hot-air curtain line routing
- 3 = Suspended ceiling with preparatory work for hot-air curtain system
- 4 = Hot-air curtain system
- 5 = Air intake
- 6 = Air blow-out

# GEZE SLIMDRIVE SC/SCR

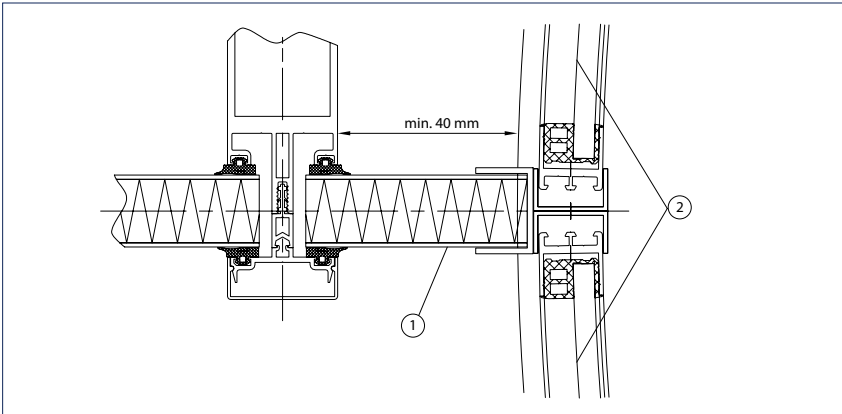
Floor ring



- 1 = Side element with VSG
- 2 = Moving leaf with VSG
- 3 = Finished flooring
- 4 = Stainless steel - floor ring
- 5 = Optional: Floor covering / clean scraping mat
- 6 = Unfinished floor
- 7 = Optional: Loose/flange
- 8 = Optional: Sheet metal base 180° all the way round
- 9 = Sealing film on site

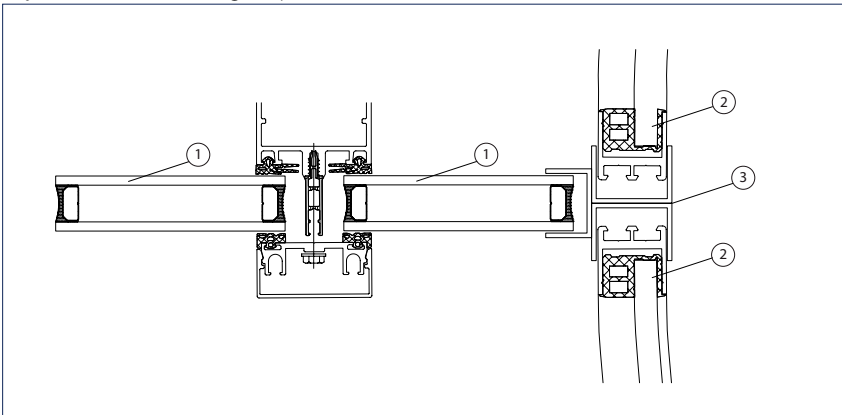


Façade connection with sheet metal panel



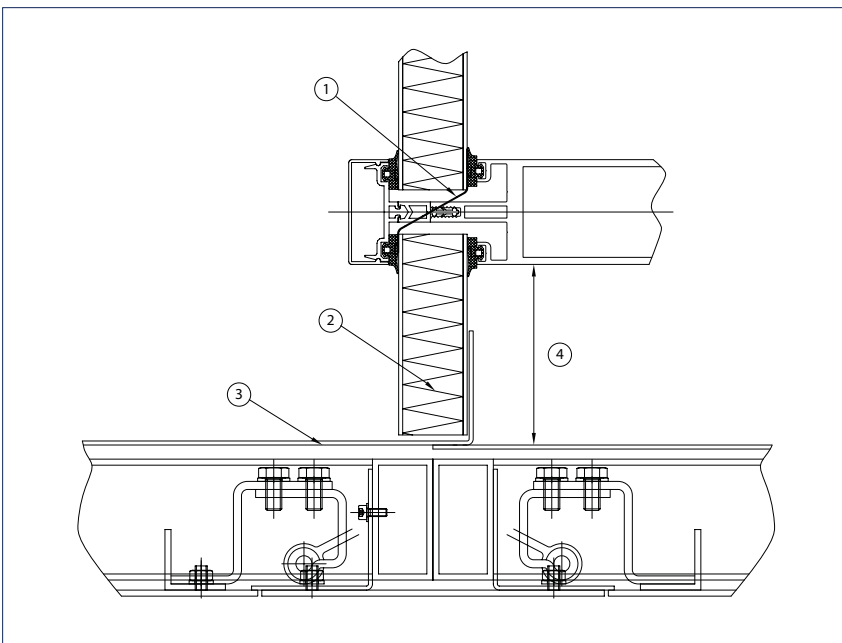
- 1 = Optional: Façade connection (panel)
- 2 = Side element with VSG

Façade connection with glass pane



- 1 = Glass pane
- 2 = Side element
- 3 = Spindle

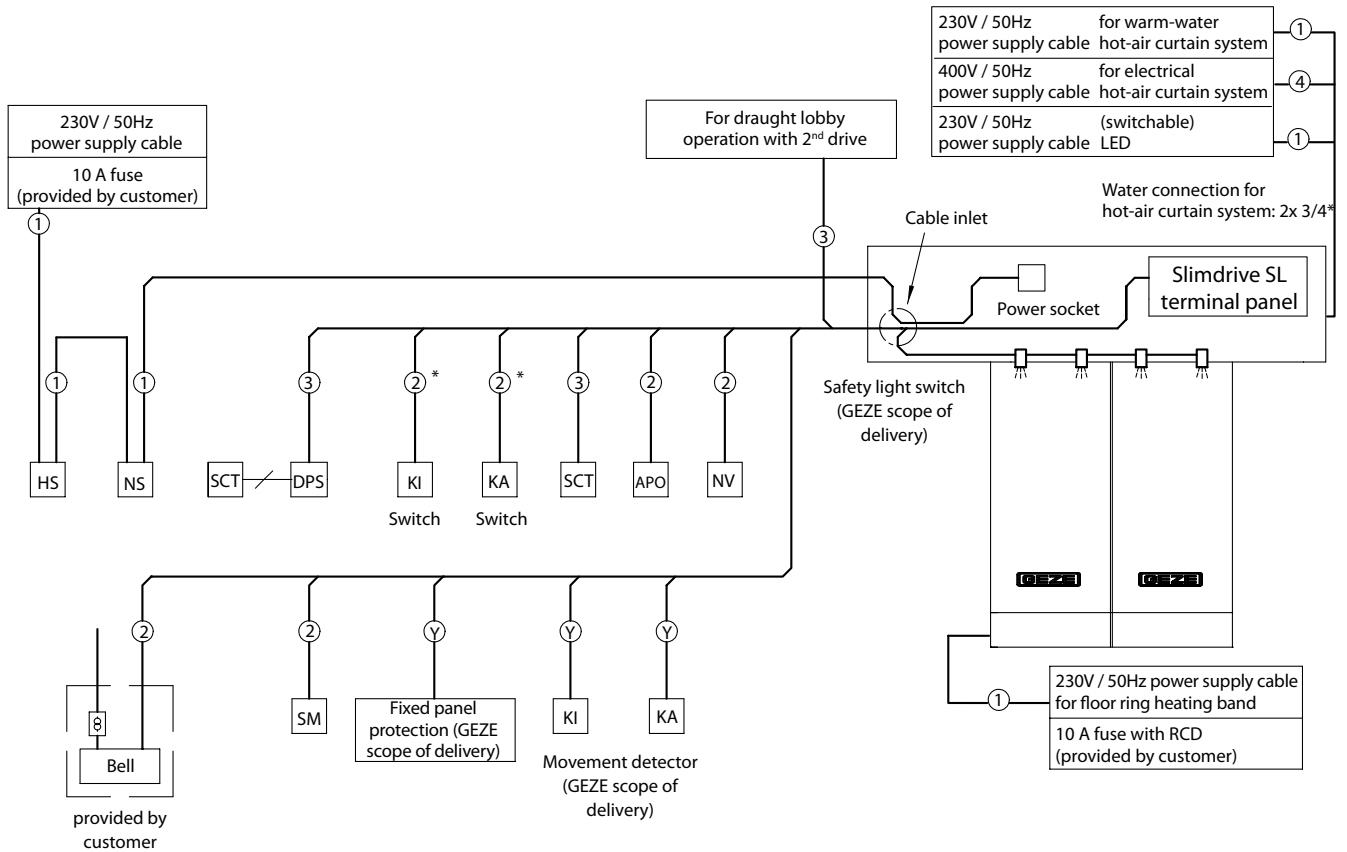
Façade connection top - with weather guard



- 1 = Sealing on site
- 2 = Optional: Façade connection (panel)
- 3 = Sheet aluminium weather guard, chamfered
- 4 = Minimum distance: 40 mm, due to mounting

## Cable plan Slimdrive SL-SC

For detailed information concerning connection of the activation devices and sensors refer to connection diagram 148583 (English version).

**Wire cross-sections**

- ① NYM-J 3 x 1.5 mm<sup>2</sup>
- ② I-Y(ST)Y 2 x 0.6 mm
- ③ I-Y(ST)Y 2 x 2 x 0.6 mm
- ④ NYM-J 5 x 1.5 mm<sup>2</sup>
- Ⓨ 5 x 0.25 mm<sup>2</sup> (GEZE scope of delivery for GEZE products)
- \* For pressure switches

HS	Main switch (optional)
NS	Emergency off switch <sup>3)</sup>
DPS	Display programme switch
SCT	Key-operated programme switch
KI	Internal activation device <sup>1)</sup>
KA	External activation device <sup>2)</sup>
SCT	Key switch
APO	Pharmacy opening
NV	Emergency lock
SM	Fault detector Fault lamp or fault horn

**Safety notes**

- Cable routing as per VDE 0100
- Cable routing, connection work and commissioning may only be carried out by authorised experts.
- GEZE does not assume any guarantee and service prestations in combination with third-party products.

**Notes**

- 1) One or more activation devices (KI) can be installed. When installing an integrated movement detector, the cables are laid in the drive.
- 2) One or more external activation devices (KA) can be installed.
- 3) Attach emergency off switches in the right-hand escape direction

References



Cafe Luitpold, Munich, Germany (Photo: Robert Sprang)



Hippauf & Stegmüller, Arnstorf, Germany (Photo: Robert Sprang)

Referenzen



Beaufort House, London, UK (Photo: Michael Molloy Photography Ltd)



Hotel Schloss Elmau Retreat, Elmau, Germany (Photo: Robert Sprang)



Referenzen



CEMAG Anlagenbau, Hameln, Germany (Photo: Lothar Wels)

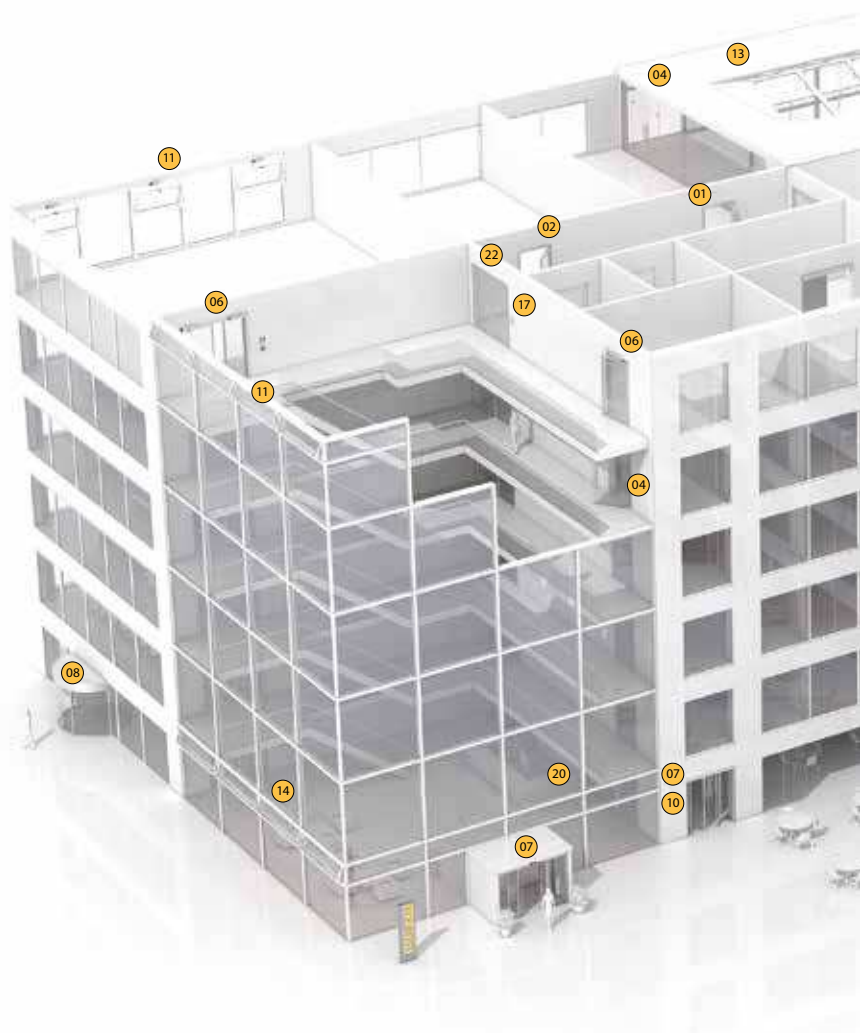


Casino, Monte-Carlo, Monaco (Photo: Jean-Louis Martinetti)

# POTENTIAL APPLICATIONS OF GEZE PRODUCTS

You will find more product information in the relevant brochures, see ID numbers.

<b>Door technology</b>	
<b>01</b>	Overhead door closers ID 091593, ID 091594
<b>02</b>	Hold-open systems ID 091593, ID 091594
<b>03</b>	Integrated door closers ID 091609
<b>04</b>	Floor springs and all-glass fittings ID 091607
<b>05</b>	Sliding fitting systems and linear guides ID 123605, ID 000586
<b>Automatic door systems</b>	
<b>06</b>	Swing doors ID 144785
<b>07</b>	Sliding, telescopic and folding doors ID 143639
<b>08</b>	Curved sliding doors ID 135772
<b>09</b>	Revolving doors ID 132050
<b>10</b>	Activation devices and sensors ID 142655
<b>Smoke and heat extraction and window technology</b>	
<b>11</b>	Fanlight opening systems ID 127787
<b>12</b>	Electric opening and locking systems ID 127785, ID 127789
<b>13</b>	Electrical spindle and linear drives ID 127785, ID 127789
<b>14</b>	Electric chain drives ID 127785, ID 127789
<b>15</b>	Smoke and heat extraction systems ID 127785, ID 139075
<b>Safety technology</b>	
<b>16</b>	Emergency exit systems ID 132408
<b>17</b>	Access control systems ID 132158
<b>18</b>	Panic locks ID 132848
<b>19</b>	Electric strikes ID 148666
<b>20</b>	Building management system ID 132408
<b>Glass systems</b>	
<b>21</b>	Manual sliding wall systems (MSW) ID 104377
<b>22</b>	Integrated all-glass systems (IGG) ID 104366



# POTENTIAL APPLICATIONS OF GEZE PRODUCTS




---

## Door technology

---

The functionality, superior performance and reliability of GEZE door closers are impressive. A common design across the range, the ability to use them on all common door leaf widths and weights, and the fact that they can be individually adjusted makes their selection simple. They are continually being improved and enhanced with up-to-date features. For example, the requirements of fire protection and accessibility are fulfilled with a door closer system.

---

## Automatic door systems

---

GEZE automatic door systems open up a huge variety of options in door design. The latest, innovative high-performance drive technology, safety, ease of accessibility and first class universal drive design set them apart. GEZE offers complete solutions for individual requirements.

---

## Smoke and heat extraction and window technology

---

GEZE smoke and heat extraction systems and ventilation technology provide complete systems solutions combining the many requirements of different types of windows. We supply a full range from energy efficient drive systems to natural ventilation and complete solutions for supplying and extracting air, also as certified SHEVs.

---

## Safety technology

---

GEZE safety technology sets the standards where preventative fire protection, access control and anti-theft security in emergency exits are concerned. For each of these objectives GEZE offers tailored solutions, which combine the individual safety requirements in one intelligent system and close doors and windows in case of danger in a coordinated manner.

---

## Building systems

---

In GEZE's Building Management System GEZE door, window and safety products can be integrated in to the security and control systems of the building. A central control and visualisation system monitors various automation components in the building and offers security through many different networking capabilities.

---

## Glass systems

---

GEZE glass systems stand for open and transparent interior design. They can either blend discreetly into the architecture of the building or stand out as an accentuated feature. GEZE offers a wide variety of technologies for functional, reliable and aesthetic sliding wall or sliding door systems providing security with lots of design scope.



**GEZE GmbH**  
P.O. Box 1363  
71226 Leonberg  
Germany

**GEZE GmbH**  
Reinhold-Vöster-Straße 21-29  
71229 Leonberg  
Germany  
Telefon +49 7152 203 0  
Telefax +49 7152 203 310  
www.geze.com

**Germany**  
GEZE GmbH  
Niederlassung Süd-West  
Breitwiesenstraße 8  
71229 Leonberg  
Tel. +49 7152 203 594  
Fax +49 7152 203 438  
leonberg.de@geze.com

GEZE GmbH  
Niederlassung Süd-Ost  
Parkring 17  
85748 Garching bei München  
Tel. +49 7152 203 6440  
Fax +49 7152 203 77050  
muenchen.de@geze.com

GEZE GmbH  
Niederlassung Ost  
Albert-Einstein-Ring 5  
14532 Kleinmachnow bei Berlin  
Tel. +49 7152 203 6840  
Fax +49 7152 203 76849  
berlin.de@geze.com

GEZE GmbH  
Niederlassung Mitte/Luxemburg  
Siemensstraße 14  
63263 Neu-Isenburg  
Tel. +49 7152 203 6888  
Fax +49 7152 203 6891  
frankfurt.de@geze.com

GEZE GmbH  
Niederlassung West  
Heltorfer Straße 12  
40472 Düsseldorf  
Tel. +49 7152 203 6770  
Fax +49 7152 203 76770  
duesseldorf.de@geze.com

GEZE GmbH  
Niederlassung Nord  
Albert-Schweitzer-Ring 24-26 (3. OG)  
22045 Hamburg  
Tel. +49 7152 203 6600  
Fax +49 7152 203 76608  
hamburg.de@geze.com

GEZE Service GmbH  
Niederlassung Süd-West  
Reinhold-Vöster-Straße 25  
71229 Leonberg  
Tel. +49 7152 203 392  
Fax +49 7152 203 359  
service-leonberg.de@geze.com

GEZE Service GmbH  
Niederlassung Süd  
Parkring 17  
85748 Garching bei München  
Tel. +49 7152 203 392  
Fax +49 7152 203 359  
service-muenchen.de@geze.com

GEZE Service GmbH  
Niederlassung Mitte/Luxemburg  
Siemensstraße 14  
63263 Neu-Isenburg  
Tel. +49 7152 203 392  
Fax +49 7152 203 659  
service-frankfurt.de@geze.com

GEZE Service GmbH  
Niederlassung West  
Heltorfer Straße 12  
40472 Düsseldorf  
Tel. +49 7152 203 392  
Fax +49 7152 203 559  
service-duesseldorf.de@geze.com

GEZE Service GmbH  
Niederlassung Ost  
Albert-Einstein-Ring 5  
14532 Kleinmachnow bei Berlin  
Tel. +49 7152 203 392  
Fax +49 7152 9233 759  
service-berlin.de@geze.com

GEZE Service GmbH  
Niederlassung Nord  
Albert-Schweitzer-Ring 24-26 (3. OG)  
22045 Hamburg  
Tel. +49 7152 203 392  
Fax +49 7152 203 459  
service-hamburg.de@geze.com

**Austria**  
GEZE Austria  
Wiener Bundesstrasse 85  
A-5300 Hallwang  
Tel: +43 6225 87180  
Fax: +43 6225 87180 299  
austria.at@geze.com

**Baltic States –  
Lithuania / Latvia / Estonia**  
Tel. +371 678960 35  
baltic-states@geze.com

**Benelux**  
GEZE Benelux B.V.  
Industrieterrein Kapelbeemd  
Steenoven 36  
5626 DK Eindhoven  
Tel. +31 4026290 80  
Fax +31 4026290 85  
benelux.nl@geze.com

**Bulgaria**  
GEZE Bulgaria - Trade  
Representative Office  
Nickolay Haitov 34 str., fl. 1  
1172 Sofia  
Tel. +359 247043 73  
Fax +359 247062 62  
office-bulgaria@geze.com

**China**  
GEZE Industries (Tianjin) Co., Ltd.  
Shuangchenzhong Road  
Beichen Economic Development  
Area (BEDA)  
Tianjin 300400, P.R. China  
Tel. +86 22 26973995  
Fax +86 22 26972702  
chinasales@geze.com.cn

GEZE Industries (Tianjin) Co., Ltd.  
Branch Office Shanghai  
Jia Little Exhibition Center  
Room C 2-102  
Shenzhuan Rd. 6000  
201619 Shanghai, P.R. China  
Tel. +86 21 52340960  
Fax +86 21 64472007  
chinasales@geze.com.cn

GEZE Industries (Tianjin) Co., Ltd.  
Branch Office Guangzhou  
Room 17 C 3  
Everbright Bank Building, No.689  
Tian He Bei Road  
510630 Guangzhou, P.R. China  
Tel. +86 20 38731842  
Fax +86 20 38731834  
chinasales@geze.com.cn

GEZE Industries (Tianjin) Co., Ltd  
Branch Office Beijing  
Room 04-05, 7th Floor  
Red Sandalwood Plaza  
No. 27 Jianguo Road  
Chaoyang District  
100024 Beijing, P.R.China  
Tel. +86 10 85756009  
Fax +86 10 85758079  
chinasales@geze.com.cn

**France**  
GEZE France S.A.R.L.  
ZAC de l'Orme Rond  
RN 19  
77170 Servon  
Tel. +33 1 606260 70  
Fax +33 1 606260 71  
france.fr@geze.com

**Hungary**  
GEZE Hungary Kft.  
Hungary-2051 Biatorbágy  
Vendel Park  
Huber u. 1.  
Tel. +36 23532 735  
Fax +36 23532 738  
office-hungary@geze.com

**Iberia**  
GEZE Iberia S.R.L.  
C/ Andorra 24  
08830 Sant Boi de Llobregat  
(Barcelona)  
Tel. +34 902194 036  
Fax +34 902194 035  
info@geze.es

**India**  
GEZE India Private Ltd.  
MF 2 & 3, Guindy Industrial Estate  
Ekkattuthangal  
Chennai 600 097  
Tamilnadu  
Tel. +91 44 406169 00  
Fax +91 44 406169 01  
office-india@geze.com

**Italy**  
GEZE Italia S.r.l  
Sede di Vimercate  
Via Fiorbellina 20  
20871 Vimercate (MB)  
Tel. +39 0399530401  
Fax+39 039 9530459/419  
italia.it@geze.com

Sede di Roma  
Via Lucrezia Romana, 91  
00178 Roma  
Tel. +39 039 9530401  
Fax +39 039 9530449  
italia.it@geze.com

**Poland**  
GEZE Polska Sp. z o.o.  
ul. Marywilska 24  
03-228 Warszawa  
Tel. +48 224 404 440  
Fax +48 224 404 400  
geze.pl@geze.com

**Romania**  
GEZE Romania S.R.L.  
IRIDE Business Park,  
Str. Dimitrie Pompeiu nr. 9-9a,  
Building 10, Level 2, Sector 2,  
020335 Bucharest  
Tel.: +40 212507 750  
Fax: +40 316201 258  
office-romania@geze.com

**Russia**  
OOO GEZE RUS  
Letnikovskaya str. 10/2  
Floor 6, room VII  
115114 Moscow  
Tel: +7 495 741 40 61  
office-russia@geze.com

**Scandinavia – Sweden**  
GEZE Scandinavia AB  
Mallslingan 10  
Box 7060  
18711 Täby, Sweden  
Tel. +46 87323 400  
Fax +46 87323 499  
sverige.se@geze.com

**Scandinavia – Norway**  
GEZE Scandinavia AB avd. Norge  
Industriveien 34 B  
2073 Dal  
Tel. +47 63957 200  
Fax +47 63957 173  
norge.se@geze.com

**Scandinavia – Denmark**  
GEZE Danmark  
Branch office of GEZE Scandinavia AB  
Mårkærvej 13 J-K  
2630 Taastrup  
Tel. +45 463233 24  
Fax +45 463233 26  
danmark.se@geze.com

**Singapore**  
GEZE (Asia Pacific) Pte. Ltd.  
21 Bukit Batok Crescent  
#23-75 Wcga Tower  
Singapore 658065  
Tel: +65 6846 1338  
Fax: +65 6846 9353  
gezesea@geze.com.sg

**South Africa**  
Geze South Africa (Pty) Ltd.  
GEZE, Building 3, 1019 Morkels Close  
Midrand 1685  
Tel: +87 94337 88  
Fax: +86 66137 52  
info@gezesa.co.za

**Switzerland**  
GEZE Schweiz AG  
Zelglimatte 1A  
6260 Reiden  
Tel. +41 62 28554 00  
Fax +41 62 28554 01  
schweiz.ch@geze.com

**Turkey**  
GEZE Kapı ve Pencere Sistemleri  
San. ve Tic. Ltd. Sti.  
İstanbul Anadolu Yakası Organize  
Sanayi Bölgesi  
Gazi Bulvarı Caddesi 8.Sokak No:8  
Tuzla-İstanbul  
Tel. +90 216 45543 15  
Fax +90 216 45582 15  
office-turkey@geze.com

**Ukraine**  
LLC GEZE Ukraine  
17 Viskozna street,  
Building 93-B, Office 12  
02660 Kyiv  
Tel./Fax +38 445012225  
office-ukraine@geze.com

**United Arab Emirates/GCC**  
GEZE Middle East  
P.O. Box 17903  
Jebel Ali Free Zone  
Dubai  
Tel. +971 48833 112  
Fax +971 48833 240  
gezeme@geze.com

**United Kingdom**  
GEZE UK Ltd.  
Blenheim Way  
Fradley Park  
Lichfield  
Staffordshire WS13 8SY  
Tel. +44 15434430 00  
Fax +44 15434430 01  
info.uk@geze.com

GEZE REPRESENTATIVE